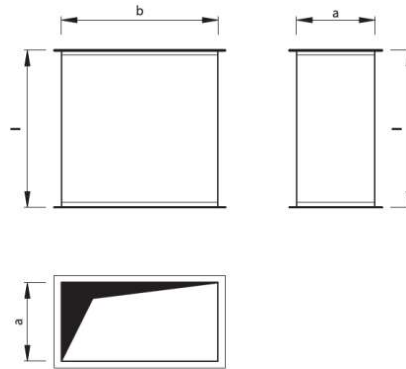


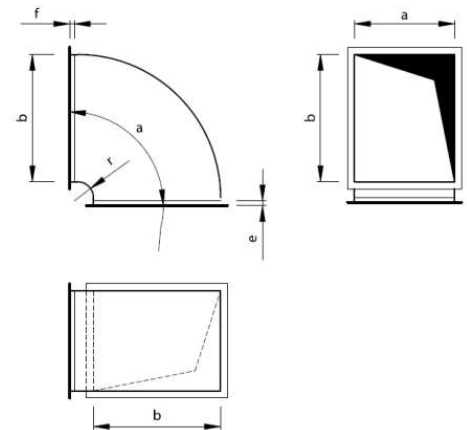
RECTANGULAR DUCTS



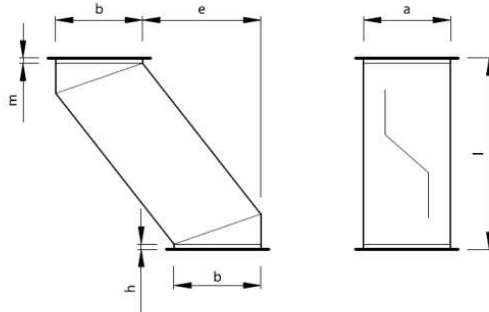
Dimensions



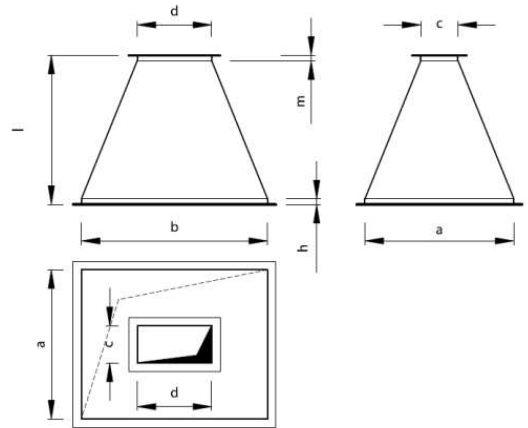
Dimensions



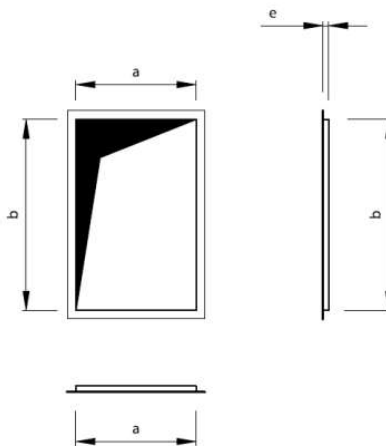
Dimensions



Dimensions

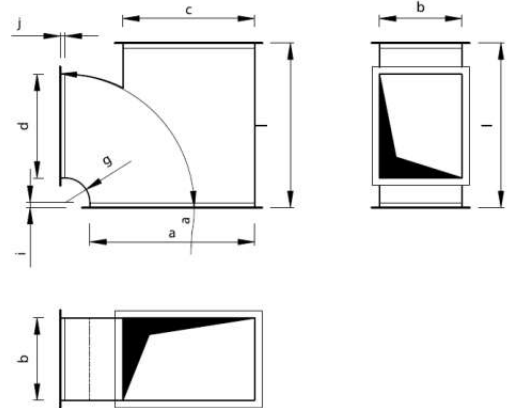


Dimensions

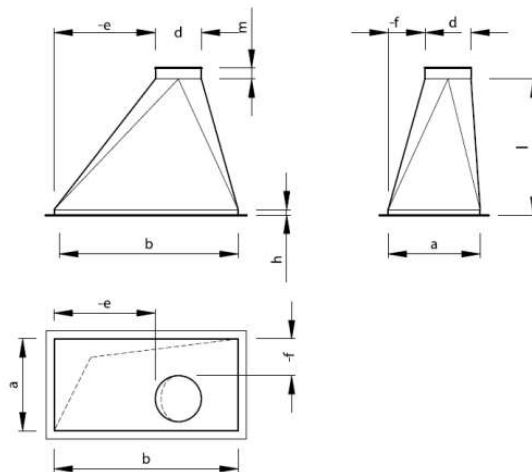




Dimensions



Dimensions



- ☑ Ducts and shaped parts rectangular according to DIN EN 1505
- ☑ Ducts and shaped parts made of GALVA Z275, INOX 304 or INOX316
- ☑ Internal pressure: 1,000 Pa / -500 Pa, tightness class B according to DIN EN 1507
- ☑ Longitudinal seams flanged, joints with profile frame, panel determination according to DIN 18379, walls profiled, additional wall reinforcement if required
- ☑ Standard length 1400 mm
- ☑ Frame profiles tightness class D according to DIN 1507 - static pressure difference 2,500 Pa Frame with BUTYL seal - VDI 6022
- ☑ Frames in function of circumference 20/30/40 mm
- ☑ ASSEMBLY INSTRUCTIONS
- ☑ Suspension:
- ☑ Using the exact UP profiles
- ☑ 20mm Width ≤ 700



LTI BV
 Leopoldstraat 112
 9400 Ninove (Okegem)
 054/67 19 60
info@ltibvba.be

- ☑ 35mm $800 \leq \text{Width} \leq 1100$
- ☑ 50mm $1200 \leq \text{Width} \leq 2000$
- ☑ Equipped with vibration-free rubber insulation strips of maximum 100mm
- ☑ Seals:
- ☑ Neoprene/Moes between frames A20/30
- ☑ 4 bolt-nut joints at corners.
- ☑ Clamps see manufacturing specifications

Low pressure - 0 to 40mm WK - 0 to 400 Pa

A	thickness normal	thickness profiled	clamps	reinforcements	frame profile
200-699	0.8	0.6	1	-	TDC20 - E20 - A20
700-999	0.8	0.6	2	-	TDC30 - E30 - A30
1000-1499	1	0.8	2	1	TDC30 - E30 - A30
1500-1999	1	0.8	3	1	TDC30 - E30 - A30
2000-2749	1.25	1	4	1	TDC30 - E30 - A30
2750-3000	1.25	1.25	5	2	A 40
3000-4000	1.5	1.5	6	3	A 40

Medium pressure - 41 to 100mm WK - 410 to 1000 Pa

A	thickness normal	thickness profiled	clamps	reinforcements	frame profile
200-699	0.8	0.6	1	-	TDC20 - E20 - A20
700-1249	1	0.8	2	-	TDC30 - E30 - A30
1250-1499	1	0.8	3	1	TDC30 - E30 - A30
1500-2099	1.25	1	4	1	TDC30 - E30 - A30
2099-2500	1.25	1.25	4	2	A40
2601-3000	1.5	1.25	5	3	A 40

High pressure - 100 to 200mm WK - 1010 to 2000 Pa

A	thickness normal	thickness profiled	clamps	reinforcements	frame profile
200-499	0.8	0.6	1	-	TDC20 - E20 - A20
500-699	0.8	0.6	2	-	TDC20 - E20 - A20
700-999	1	0.8	2	-	TDC30 - E30 - A30
1000-1249	1	0.8	3	2	TDC30 - E30 - A30
1250-1499	1.25	1.25	4	2	A40
1500-1999	1.25	1.25	5	4	A 40
2000-2500	1.5	1.5	6	6	A40