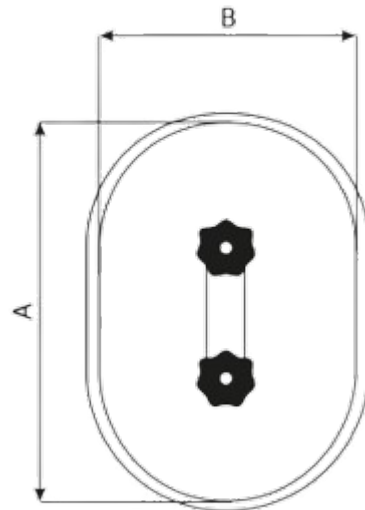


ISK – ACCESS DOOR FLAT FOR RECTANGULAR DUCT



- Suitable for assembly on rectangular ducts
- Easily accessible access door panel for cleaning ducts
- Easy installation
- Galvanised steel
- Rubber gasket

| $\varnothing D$ (mm) | B (mm) |
|-------------------------|-----------|
| 200 | 100 |
| 250 | 150 |
| 300 | 200 |
| 400 | 300 |
| 500 | 400 |
| 600 | 450 |