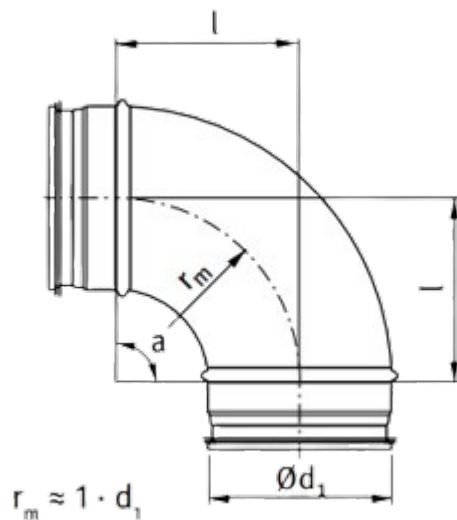


BP9 - BEND PRESSED 90°



- Galvanised steel
- EPDM rubber gasket
- Pressed
- Gasket is positioned by returned edges

$\varnothing d_1$	l (mm)	weight (kg)
80	105	0,26
100	100	0,31
125	125	0,48
150	150	0,66
160	160	0,74
180	180	1,02
200	200	1,30