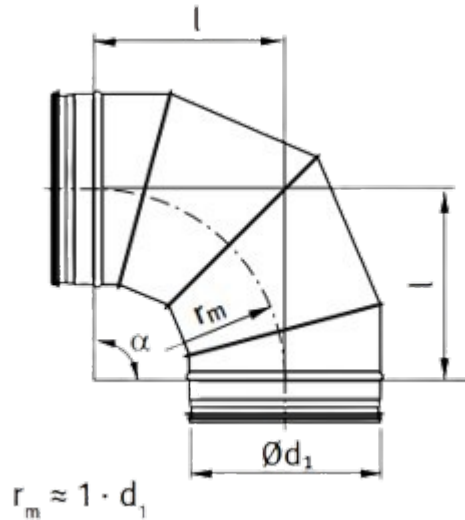


BS9 – BEND SEGMENTED 90°



- Galvanised steel
- EPDM rubber gasket
- Segments connected with lock
- Gasket is positioned by returned edges

$\varnothing d_1$	l (mm)	weight (kg)
250	250	2,20
315	315	3,00
355	355	3,75
400	400	5,64
450	450	7,00
500	500	8,20
560	560	10,10
630	630	12,90
800	800	26,00