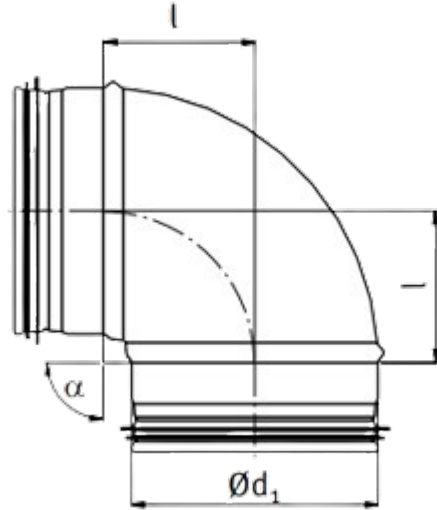


BP9K - BEND SHORT PRESSED 90°



- Galvanised steel
- EPDM rubber gasket
- Pressed
- Short installation length
- Gasket is positioned by returned edges

$\varnothing d_1$	l (mm)	weight (kg)
80	80	0,14
100	62	0,22
125	79	0,31
160	94	0,64