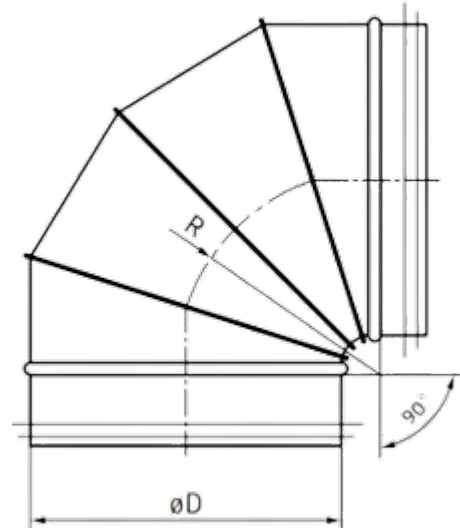


BS9K – BEND SHORT SEGMENTED 90°



- Galvanized steel
- EPDM rubber gasket
- Segments connected with lock
- Short installation length
- Gasket is positioned by returned edges

$\varnothing D$ (mm)	$\varnothing D$ (mm)
250	450
315	500
355	560
400	630