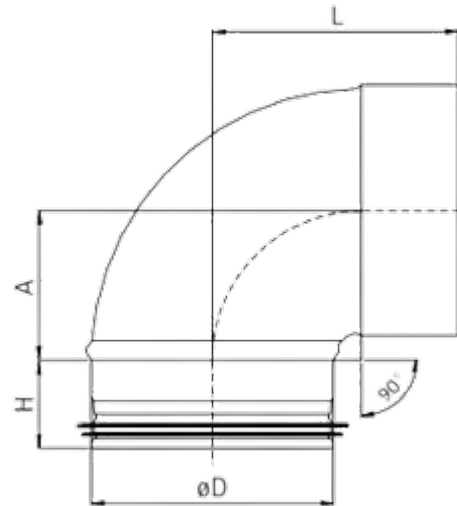


BP9KV - BEND SHORT PRESSED 90° MALE-FEMALE



- Galvanised steel
- EPDM rubber gasket
- Pressed
- Returned edges
- Gasket is positioned by returned edges

øD (mm)	L (mm)	A (mm)	H (mm)
80			
100	105	62	38
125	120	79	38
160	136	94	38
200			