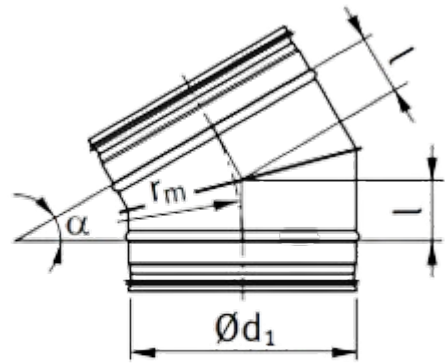


BS3 - BEND SEGMENTED 30°



$$r_m \approx 1 \cdot d_1$$

- Galvanised steel
- EPDM rubber gasket
- Segments connected with lock
- Gasket is positioned by returned edges

| $\varnothing d_1$ | l (mm) | weight (kg) |
|-------------------|-----------|----------------|
| 250 | 67 | 1,00 |
| 315 | 84 | 1,42 |
| 355 | 95 | 1,70 |
| 400 | 107 | 2,27 |
| 450 | 121 | 3,00 |
| 500 | 134 | 3,70 |
| 560 | 150 | 4,60 |
| 630 | 169 | 5,60 |