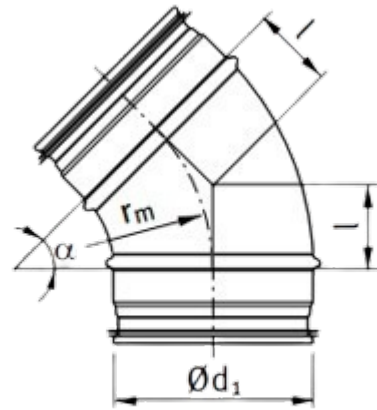


BP4 - BEND PRESSED 45°



$$r_m \approx 1 \cdot d_1$$

- Galvanised steel
- EPDM rubber gasket
- Pressed
- Gasket is positioned by returned edges

$\varnothing d_1$	l (mm)	weight (kg)
80	41	0,17
100	41	0,21
125	52	0,29
150	62	0,42
160	66	0,48
180	76	0,65
200	83	0,80