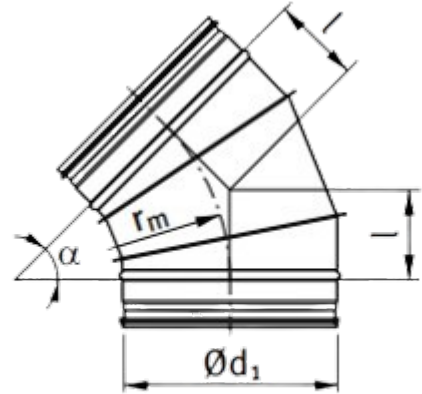


BS4 - BEND SEGMENTED 45°



$$r_m \approx 1 \cdot d_1$$

- Galvanised steel
- EPDM rubber gasket
- Segments connected with lock
- Gasket is positioned by returned edges

$\varnothing d_1$	l (mm)	weight (kg)
250	104	1,26
315	130	1,90
355	147	2,26
400	166	2,96
450	186	4,00
500	207	4,90
560	232	6,10
630	261	7,49