

Short pressed male-to-female bends with gaskets

BPKL-45/BPKFL-45



Description

Short pressed bends are designed for building ventilation systems based on spiral ducts and plain ducts. Seam welds provide air tightness class D without the need to use any other sealants. In ventilation and heat recuperation systems, the double EPDM gasket provides air tightness class D according to EN 12237. The piece is connected with a duct by inserting one into the other. The short bending radius helps installing the ductwork under a suspended ceiling with a limited clearance. BPKFL bends feature a female end for direct connection to the mounting frames of various air valves (e.g. KW-S-RM or KNT-RML).



There is also available version with a female end - **BPKFL** code or with two female ends - **BPKFF** code

Available materials - Product code example
BPKL-...-45 - galvanized steel sheet

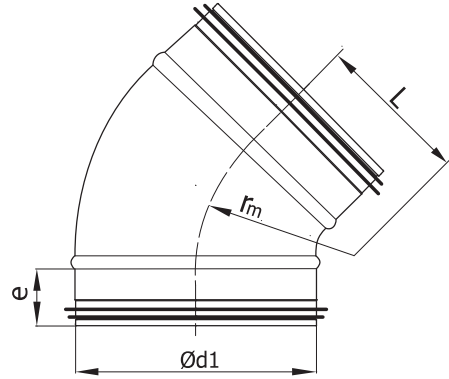
Product code example

Product code: **BPKL- aaa - 45**

type _____
 $\varnothing d_1$ _____
 angle _____

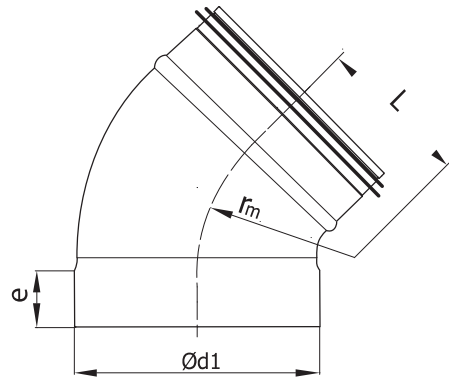
Dimensions

BPKL



$r_m \approx 0.6 \times d_1$

BPKFL



$r_m \approx 0.6 \times d_1$

$\varnothing d_{1, nom}$ (mm)	L (mm)	e (mm)	Weight (kg)
80	52	36	0.1
100	62	36	0.2
125	75	36	0.3
150	87	36	0.3
160	92	36	0.4
200	112	36	0.5