

Short segmented bends with gaskets

BSKL-45



Description

Segmented bends are designed for spiral ducts. The inside surface of the hemmed seams is sealed, and as a result of the double EPDM gaskets, this solution provides air tightness class D according to EN 12237 for ventilation and heat recuperation systems. The bending radius is ca. 0.6D, which helps installing the ductwork under a suspended ceiling with a limited clearance and reduces the segment bend pricing. Bends with a single female end are available on request.



There is also available version with a female end - **BSKFL** code or with two female ends - **BSKFF** code

Available materials - Product code example

- BSKL-... -45 - galvanized steel sheet
- BSKL-K-... -45 - 1.4301/304 stainless steel sheet
- BSKL-K-... -45-316L - 1.4404/316L stainless steel sheet, molybdenum-enriched
- BSKL-... -45-ALU - AW-1050A H24 aluminium sheet
- BSKL-... -45-CU - M1E z4 copper sheet

Product code example

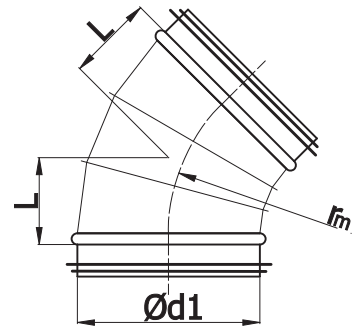
Product code: **BSKL- aaa - 45**

type _____

Ød₁ _____

angle _____

Dimensions



$$r_m \approx 0.6 \times d_1$$

Ød _{1 nom} (mm)	L (mm)	Weight (kg)
200	60	0.50
224	60	0.55
250	65	0.70
280	70	0.90
300	80	1.00
315	85	1.00
355	95	1.20
400	145	1.50
450	158	2.20
500	170	2.60
560	190	3.20
600	200	4.20
630	207	4.60
710	245	5.70
800	265	7.00
900	290	11.10
1000	330	13.40
1120	395	16.80
1250	430	20.40
1400	455	28.00
1500	480	31.70
1600	500	35.80