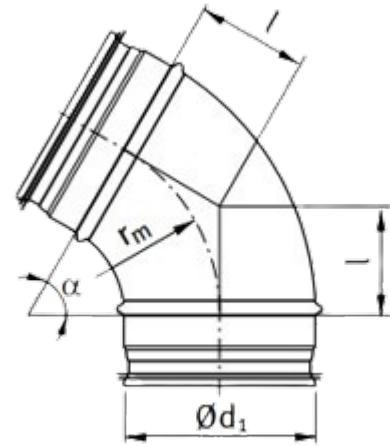


## BP6 - BEND PRESSED 60°



$$r_m \approx 1 \cdot d_1$$

- Galvanised steel
- EPDM rubber gasket
- Pressed
- Gasket is positioned by returned edges

$\varnothing d_1$	l (mm)	weight (kg)
80	58	0,32
100	58	0,33
125	72	0,33
160	72	0,56
200	115	0,95