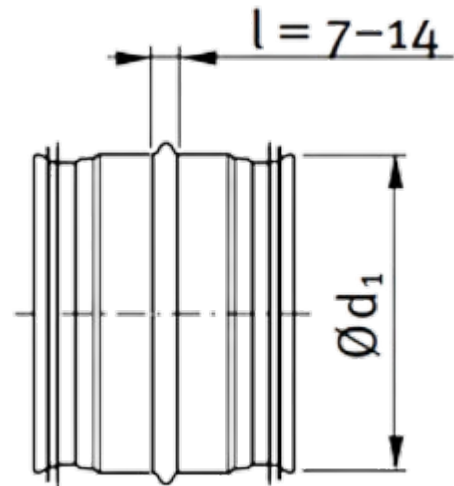


## V - COUPLING MALE



- Galvanised steel
- EPDM rubber gasket
- Used for joining spiral ducts
- Gasket is positioned by returned edges

ød	weight (kg)	ød	weight (kg)
80	0,09	355	0,76
100	0,12	400	1,10
125	0,15	450	1,34
150	0,18	500	1,52
160	0,19	560	1,90
180	0,25	630	2,24
200	0,30	800	3,10
250	0,52	900	4,52
315	0,66		