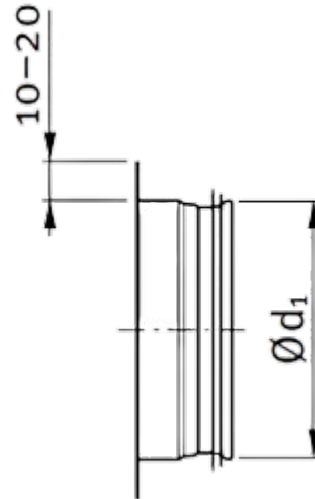


IL - TAKE-OFF FLAT



- Galvanised steel
- EPDM rubber gasket
- Without radius
- Gasket is positioned by returned edges

$\varnothing d_1$	weight (kg)	$\varnothing d_1$	weight (kg)
80	0,08	400	0,58
100	0,07	450	0,71
125	0,11	500	0,83
160	0,16	560	0,96
180	0,19	630	1,13
200	0,21	710	1,58
250	0,36	800	2,11
315	0,54	900	2,70
355	0,41	1000	3,23