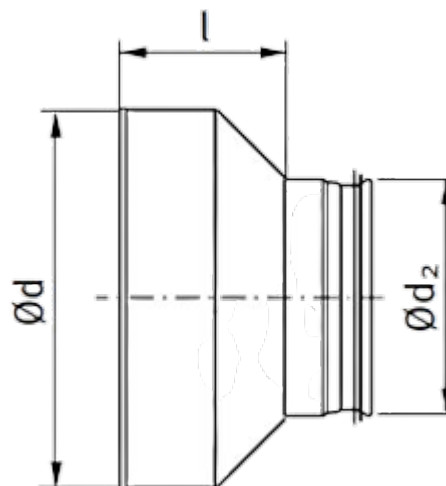


## RCF - REDUCER MALE-FEMALE PRESSED



- galvanised steel
- EPDM rubber gasket
- Pressed
- Made of single element
- Short installation length
- one female end
- gasket is positioned by returned edges

$\varnothing d_1$	$\varnothing d_2$	l (mm)	weight (kg)
100	80	61	0,16
125	80	73	0,16
125	100	64	0,14
160	100	83	0,16
160	125	71	0,20
200	100	84	0,23
200	125	90	0,27
200	150	75	0,34
200	160	73	0,26
250	160	117	0,40
250	200	103	0,42
315	160	153	0,82
315	200	134	0,77
315	250	108	0,65