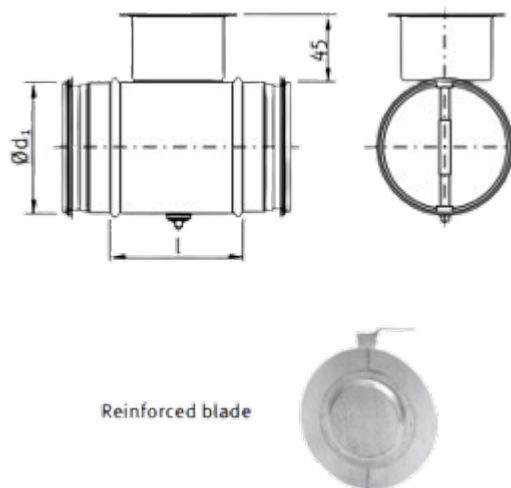


DS - DAMPER CLOSING



- ☑ Galvanised steel
- ☑ EPDM rubber gasket
- ☑ Equipped with stepless, adjustable 0 - 90° blade
- ☑ Admits an insulation thickness of approx. 50 mm
- ☑ Reinforced blade starting from diameter $\varnothing 400$

$\varnothing d_1$	l (mm)	weight (kg)
100	100	0,40
125	100	0,49
160	100	0,67
200	100	0,86
250	100	1,31
315	100	1,81
355	100	2,00
400	100	2,91
450	100	3,90
500	115	4,92
560	115	6,01
630	115	6,92