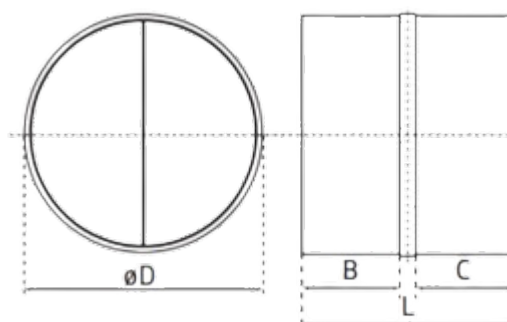


RSK - DAMPER BACK DRAFT



- Damper wings (swinging) closed by a spring
- Can be mounted in any position
- Galvanised steel
- Polyurethane foam (gasket)
- Aluminum (wings)

$\varnothing D$ (mm)	L (mm)	B (mm)	C (mm)
100	88	38	38
125	88	38	38
160	88	38	38
200	88	38	38
250	128	59	59
315	128	59	59
355	197	75	75
400	197	75	75