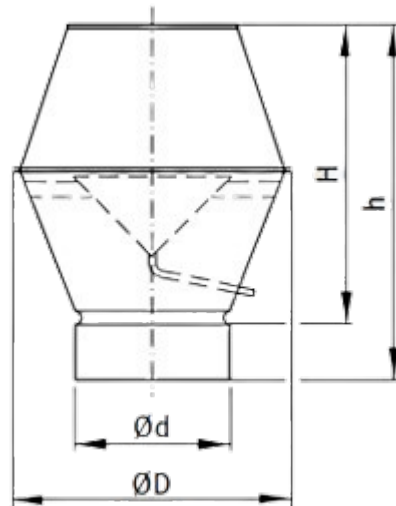


## HN - ROOF HOOD



- Galvanised steel
- As a standard - manufactured with female connection, which fits outside a duct
- As an option - can be ordered with other connections
- Equipped with water drip pipe, to drain water out of the hood's internal rain funnel

$\varnothing d_1$	$\varnothing D$ (mm)	H (mm)	h (mm)	weight (kg)
100	180	220	360	0,96
125	225	240	380	1,26
160	280	340	475	1,95
200	345	420	555	2,92
250	430	505	640	4,31
315	550	620	755	6,75
355				
400				
500				
560				
630				