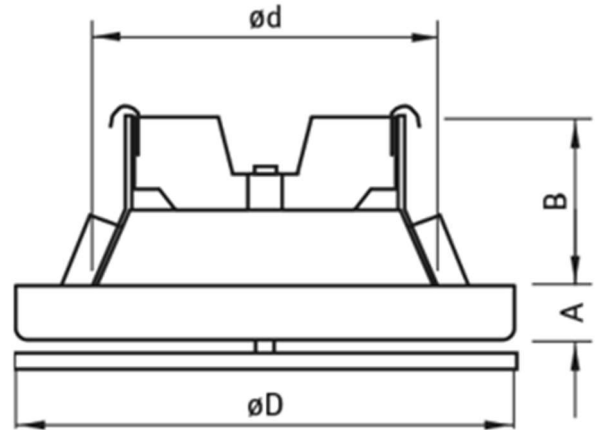


SF-S - AIR VALVE SUPPLY



- ☑ Designed for ceiling mounting on ventilation ducts
- ☑ Attenuated with sound-absorbing material
- ☑ Easy adjustment of air flow by rotating central part
- ☑ Blocking nut allows for setting the minimum slot
- ☑ Special design provides low noise level
- ☑ High quality and modern design
- ☑ Valve can be installed directly on duct
- ☑ Fast and easy installation
- ☑ Galvanised steel
- ☑ RAL 9010

ø	øD (mm)	ød (mm)	A (mm)	B (mm)	63 Hz (dB)	125 Hz (dB)	250 Hz (dB)	500 Hz (dB)	1k Hz (dB)	2k Hz (dB)	4k Hz (dB)	8k Hz (dB)
100	135	100	15	45	22	17	13	10	2	2	7	8
125	160	125	15	45	18	16	12	8	3	3	7	8
160	191	160	15	45	18	15	11	9	4	5	7	9
200	238	200	18	45	16	13	9	7	5	5	8	8