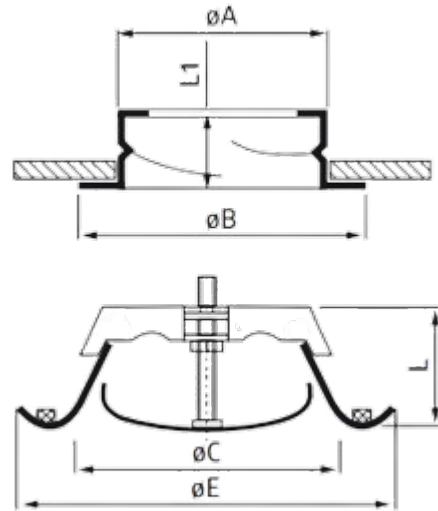


SR-E - AIR VALVE EXHAUST



- ☑ Designed for ceiling mounting on ventilation ducts
- ☑ Easy adjustment of air flow by rotating central part
- ☑ Blocking nut allows for setting the minimum slot
- ☑ Special design provides low noise level
- ☑ High quality and modern design
- ☑ Fast and easy installation
- ☑ Galvanised steel
- ☑ RAL 9003

\varnothing	$\varnothing A$ (mm)	$\varnothing B$ (mm)	$\varnothing C$ (mm)	$\varnothing E$ (mm)	L (mm)	L1 (mm)
80	79,00	105,00	59,00	115,90	37,50	48,50
100	98,40	125,30	74,00	139,50	39,00	48,50
125	124,20	150,00	98,00	165,00	43,50	48,50
160	158,50	185,00	129,00	208,00	49,00	48,50
200	198,50	225,00	157,00	247,40	57,00	48,50
250	247,00	286,50	207,70	304,00	64,00	45,00