

# Corner gusset bracket

## LDB-PBTR-41-5



### Description

LDB-PBTR-41 channel corner gusset brackets are designed for building corner joints at extreme loads on each leg of the channels. The five holes allow fastening channels in 3 different directions.

This product can be used outdoors with a hot-dip galvanized finish.

#### Available materials - Product code example

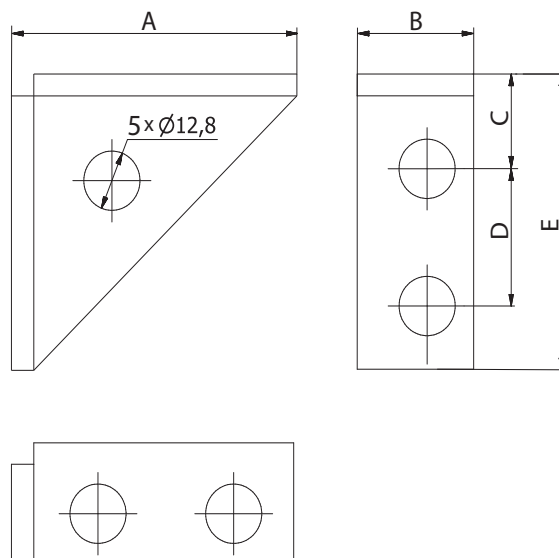
- LDB-PBTR-41 - galvanized steel sheet
- LDB-PBTR-41-Z275 - Z275 galvanized steel sheet
- LDB-PBTR-41-Z600 - hot-dip galvanized steel sheet
- LDB-PBTR-41-K - 1.4301/304 stainless steel sheet
- LDB-PBTR-41-K-316L - 1.4404/316L stainless steel sheet, molybdenum-enriched
- LDB-PBTR-41-A - AW-1050A H24 aluminium sheet

#### Product code example

Product code: **LDB-PBTR-41-5**

type \_\_\_\_\_

### Dimensions



Product code	A [mm]	B [mm]	C [mm]	D [mm]	E [mm]
LDB-PBTR-41-5	107	48	37	48	107

### Installation method

