

Rectangular duct suspension bracket

EQLS



Description

This type of duct suspension bracket is a quick-to-install fastener for square ventilation ducts, especially when the suspension system includes threaded rods and self-drilling screws.

The duct suspension bracket is fastened only to the top side of the duct to reduce the required number of threaded rods.

Available materials — Product code example

EQLS — galvanized steel sheet

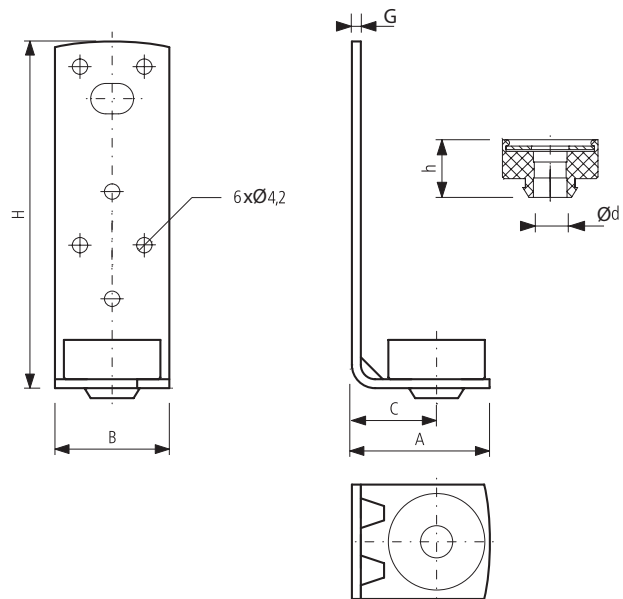
EQLS-K — 1.4301/304 stainless steel sheet

Product code example

Product code: **EQLS**

type _____

Dimensions



A [mm]	B [mm]	C [mm]	H [mm]	h [mm]	Ød [mm]
38	25	23	98	18.7	10

Type	Specific load F_k [kN]	Recommended load F_z [kN]
EQLS	1.2	0.6

Installation method

