

Duct brackets

EQVS



Description

Suitable for reliable and easy assembly of all types of duct systems. With the V-type trapezium suspension you can suspend various components from a trapezium sheet metal roof structure using self-tapping screws. Thickness: 1.9 mm.

Available materials - Product code example

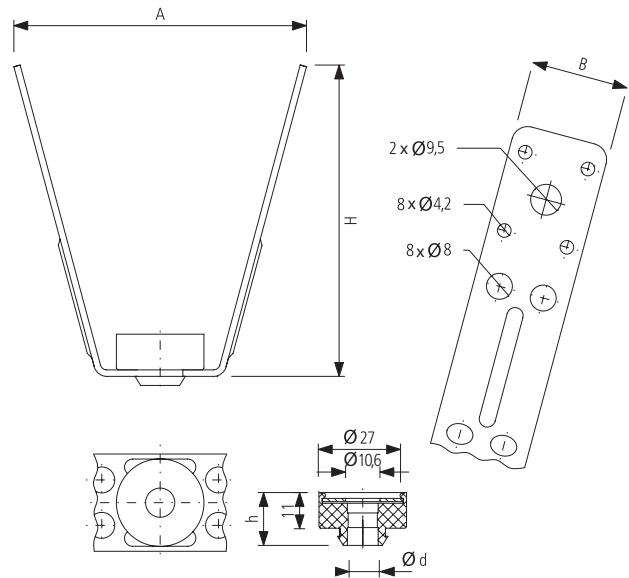
- EQVS - galvanized steel sheet
- EQVS-K - 1.4301/304 stainless steel sheet

Product code example

Product code: EQVS

type

Dimensions



A [mm]	B [mm]	H [mm]	h [mm]	Ød [mm]
84	30	95	18,9	10

Type	SCharacteristic load F_k [kN]	Recommended load F_z [kN]
EQVS	1.0	0.5