

Wall-mounted cantilever support arms **W-LDB**



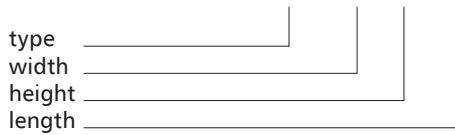
Description

W-LDB cantilever support arms are designed for installing rectangular ventilation ducts directly along walls and for supporting heavy HVAC components, including A/C split indoor and outdoor units and AHUs.

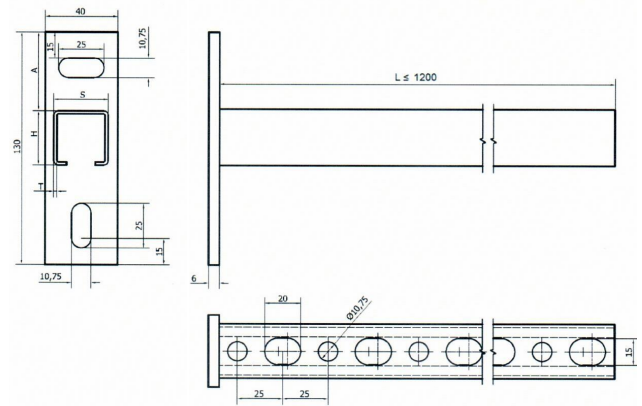
Available materials - Product code example
W-LDB-...-...-... - galvanized steel sheet

Product code example

Product code: **W-LDB - 30 - 30 - 250**



Dimensions



Product code	S [mm]	H [mm]	A [mm]	T [mm]	L [mm]
W-LDB-30-20-150	30	20	55	≥1.5	150
W-LDB-30-20-200	30	20	55	≥1.5	200
W-LDB-30-20-250	30	20	55	≥1.5	250
W-LDB-30-20-300	30	20	55	≥1.5	300
W-LDB-30-20-350	30	20	55	≥1.5	350
W-LDB-30-20-400	30	20	55	≥1.5	400
W-LDB-30-20-450	30	20	55	≥1.5	450
W-LDB-30-20-500	30	20	55	≥1.5	500
W-LDB-30-20-550	30	20	55	≥1.5	550
W-LDB-30-20-600	30	20	55	≥1.5	600
W-LDB-30-20-650	30	20	55	≥1.5	650
W-LDB-30-20-700	30	20	55	≥1.5	700
W-LDB-30-20-750	30	20	55	≥1.5	750
W-LDB-30-30-150	30	30	50	≥2.0	150
W-LDB-30-30-200	30	30	50	≥2.0	200
W-LDB-30-30-250	30	30	50	≥2.0	250
W-LDB-30-30-300	30	30	50	≥2.0	300
W-LDB-30-30-350	30	30	50	≥2.0	350
W-LDB-30-30-400	30	30	50	≥2.0	400
W-LDB-30-30-450	30	30	50	≥2.0	450
W-LDB-30-30-500	30	30	50	≥2.0	500
W-LDB-30-30-550	30	30	50	≥2.0	550
W-LDB-30-30-600	30	30	50	≥2.0	600
W-LDB-30-30-650	30	30	50	≥2.0	650
W-LDB-30-30-700	30	30	50	≥2.0	700
W-LDB-30-30-750	30	30	50	≥2.0	750

Wall-mounted cantilever support arms

W-LDB

Dimensions

Product code	S [mm]	H [mm]	A [mm]	T [mm]	L [mm]
W-LDB-41-21-150	41	21	54	≥2.0	150
W-LDB-41-21-200	41	21	54	≥2.0	200
W-LDB-41-21-250	41	21	54	≥2.0	250
W-LDB-41-21-300	41	21	54	≥2.0	300
W-LDB-41-21-350	41	21	54	≥2.0	350
W-LDB-41-21-400	41	21	54	≥2.0	400
W-LDB-41-21-450	41	21	54	≥2.0	450
W-LDB-41-21-500	41	21	54	≥2.0	500
W-LDB-41-21-550	41	21	54	≥2.0	550
W-LDB-41-21-600	41	21	54	≥2.0	600
W-LDB-41-21-650	41	21	54	≥2.0	650
W-LDB-41-21-700	41	21	54	≥2.0	700
W-LDB-41-21-750	41	21	54	≥2.0	750
W-LDB-41-21-1000	41	21	54	≥2.0	1000

Product code	S [mm]	H [mm]	A [mm]	T [mm]	L [mm]
W-LDB-41-41-150	41	41	43	≥2.0	150
W-LDB-41-41-200	41	41	43	≥2.0	200
W-LDB-41-41-250	41	41	43	≥2.0	250
W-LDB-41-41-300	41	41	43	≥2.0	300
W-LDB-41-41-350	41	41	43	≥2.0	350
W-LDB-41-41-400	41	41	43	≥2.0	400
W-LDB-41-41-450	41	41	43	≥2.0	450
W-LDB-41-41-500	41	41	43	≥2.0	500
W-LDB-41-41-550	41	41	43	≥2.0	550
W-LDB-41-41-600	41	41	43	≥2.0	600
W-LDB-41-41-650	41	41	43	≥2.0	650
W-LDB-41-41-700	41	41	43	≥2.0	700
W-LDB-41-41-750	41	41	43	≥2.0	750
W-LDB-41-41-1000	41	41	43	≥2.0	1000

Technical data

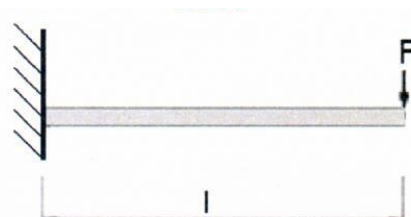
Maximum acceptable load capacity of W-LDB cantilever support arm channels under point load

Support spacing L [mm]	Maximum load F [N]		
	W-LDB-30-20	W-LDB-30-30	W-LDB-41-41
150		353	
200		264	
250		212	
300		176	
350		151	
400		132	
450	70	118	320
500		100	
550		83	
600		69	
650		59	
700		51	
750		44	
1200	15	30	80

Maximum acceptable load capacity of W-LDB cantilever support arm channels under continuous linear load

Support spacing L [mm]	Maximum load F [N]
	W-LDB-30-30
150	705
200	529
250	423
300	353
350	302
400	264
450	235
500	212
550	192
600	176
650	158
700	136
750	119

Load diagram



Load diagram

